

# MAN XL 6x2 KIPPER (6-CILINDER HEADS) (ZF16 MANUAL GEARBOX / LIFT-AXLE / HYDRAULIC KIT / AIRCONDITIONING)

## GENERAL INFORMATION

ID	SN 57058252
Year	2002
Mileage	951.500 km
Construction	Tipper
Emissionclass	3

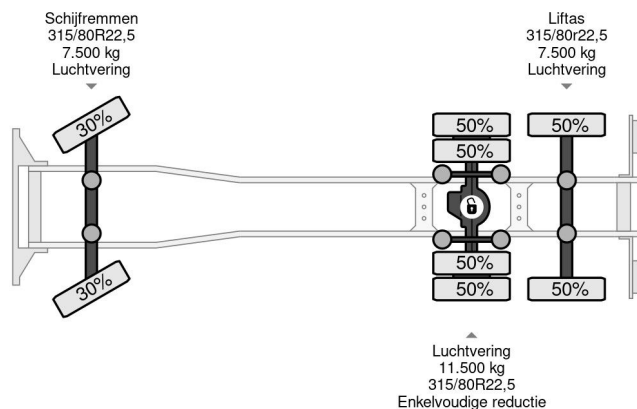
## TECHNICAL INFORMATION

First registration date	10-07-2002
Fuel	Diesel
Transmission	Manual
Vehicle identification number	WMAH20ZZZ3W048252
Axle configuration	6x2
Weight	9.365 kg
Load capacity	16.635 kg
Gross weight	26.000 kg
Cylinder count	6
Power kw	301
Power hp	409
Wheelbase	445



MAN TGA 26.410 XL 6x2 KIPPER (6-CILINDER HEADS) (ZF...

Referentienumer: SN 57058252



## ACCESSORIES

- 16 gears Manual gearbox
- Air conditioning
- Aluminium fuel tank
- Anti-lock braking system
- Controlled slip differential
- Electrically adjustable door mirrors
- Electric windows
- Heated mirrors
- Heated seat
- Lift axle
- Luxery driversseat
- Power take-off (PTO)
- PTO
- Radio/CD player
- Sleeper cab
- Speed limiter
- Vehicle heater
- Visor
- ZF16 gears manual

## DESCRIPTION

GOOD CONDITION M.A.N. TGA26.410FNLL XL 6x2 KIPPER WITH ZF16 MANUAL GEARBOX, LIFT-AXLE & AIRCONDITIONING!!

410HP, EURO 3!! (6 CILINDERHEADS / 24 VALVE)

ZF16 GEARS MANUAL GEARBOX!!

LIFT-AXLE!!

P.T.O. !!

HYDRAULIC KIT!!

AIRCONDITIONING!!

ETC!!

3-WAY KIPPER BODY; SIZE; LENGTH x WIDE: 6.60 m. x 2.45 m. x 0.82 M. (Ca. 14 m3!!)

GOOD WORKING & DRIVING TRUCK, READY FOR THE KIPPER JOBS!!

MORE M.A.N. 4x2 / 6x2 / 6x4 / 8x4 (CONSTRUCTION)  
TRUCKS IN STOCK FOR SALE!! (>75 TRUCKS/TRAILERS  
IN STOCK)!!

SHIPMENT, TRANSIT REGISTRATION, STACKING,  
TRANSPORT OR LOADING?, NO PROBLEM FOR US, WE  
ARE AN "ONE STOP SHOP" COMPANY!!

PLEASE CHECK OUR ACTUAL STOCK ON: WWW.ENGEL-  
TRUCKS.COM

YOU CAN ALSO CHECK OUR COMPANY MOVIE ON  
YOUTUBE FOR THE FIRST IMPRESSION!! ( [https://drone-  
pro.nl/project/video-engel-trucks-bv-2017/](https://drone-pro.nl/project/video-engel-trucks-bv-2017/) )

ENGEL TRUCKS; "YOUR GLOBAL TRADING PARTNER"